



# Report

US \$44.99

## 2024 Tesla Cybertruck Cyberbeast

4,326 mi | VIN: 7G2CEHEE1RA018954

Crew Pickup | Electric | All wheel drive

CARFAX HAS THE MOST ACCIDENT & DAMAGE INFORMATION



ACCIDENT



Accident Reported



2 Previous Owners



Types of Owners: Corporate, Personal



Last Owned in Florida



9 Detailed Records Available

This CARFAX Vehicle History Report is based only on information supplied to CARFAX and available as of 6/23/26 at 7:24:25 PM (CDT). Other information about this vehicle, including problems, may not have been reported to CARFAX. Use this report as one important tool, along with a vehicle inspection and test drive, to make a better decision about your next used car.



### Accident / Damage History

Not all accidents / issues are reported to CARFAX

#### Event 1

12/07/2024

#### Accident reported: minor damage

- Vehicle involved in a sideswipe collision with another motor vehicle
- Airbags did not deploy

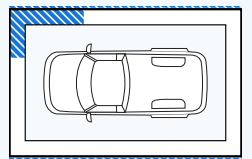
#### Damage Severity Scale



Minor

Moderate

Severe

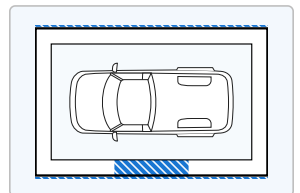


#### Event 2

10/22/2025

#### Accident reported with another motor vehicle

- Functional damage reported
- Airbags did not deploy



### Additional History

Not all accidents / issues are reported to CARFAX

Owner 1

Owner 2

Total Loss



No Issues Reported



No Issues Reported

No total loss reported to CARFAX.		
<b>Structural Damage</b> CARFAX recommends that you have this vehicle inspected by a collision repair specialist.	✔ No Issues Reported	✔ No Issues Reported
<b>Airbag Deployment</b> No airbag deployment reported to CARFAX.	✔ No Issues Reported	✔ No Issues Reported
<b>Odometer Check</b> No indication of an odometer rollback.	✔ No Issues Indicated	✔ No Issues Indicated
<b>Accident / Damage</b> Accidents reported: 12/07/2024 and 10/22/2025.	Accident Reported	Accident Reported
<b>Manufacturer Recall</b> Check with an authorized Tesla dealer for any open recalls.	Ask Your Dealer	Ask Your Dealer
<b>Basic Warranty</b> Original warranty estimated to have 25 months or 45,674 miles remaining. Confirm with dealer or vehicle manufacturer.	✔ Warranty Active	✔ Warranty Active

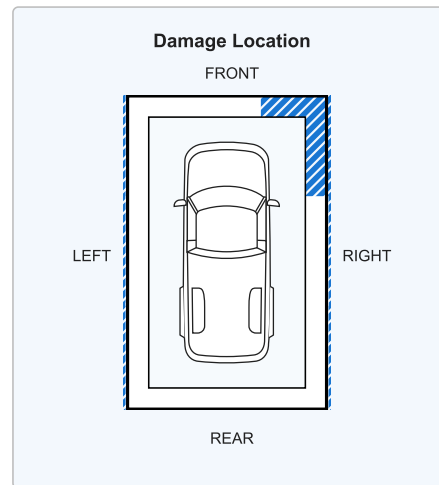
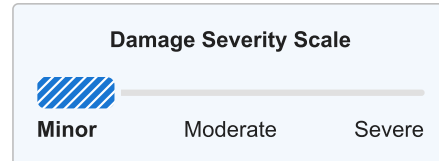
<b>Title History</b> CARFAX guarantees the information in this section	<b>Owner 1</b>	<b>Owner 2</b>
<b>Damage Brands</b> Salvage   Junk   Rebuilt   Fire   Flood   Hail   Lemon	✔ <b>Guaranteed</b> No Problem	✔ <b>Guaranteed</b> No Problem
<b>Odometer Brands</b> Not Actual Mileage   Exceeds Mechanical Limits	✔ <b>Guaranteed</b> No Problem	✔ <b>Guaranteed</b> No Problem
<b>GUARANTEED</b> - None of these title problems were reported by a U.S. state Department of Motor Vehicles (DMV). If you find that any of these title problems were reported by a DMV and not included in this report, you may qualify. <a href="#">View Terms</a>   <a href="#">View Certificate</a>		

<b>Ownership History</b> The number of owners is estimated	<b>Owner 1</b>	<b>Owner 2</b>
Year purchased	2024	2024
Type of owner	Corporate	Personal
Estimated length of ownership	2 months	1 yr. 6 mo.
Owned in the following states/provinces	Wisconsin, Arizona	Florida
Estimated miles driven per year	---	---
Last reported odometer reading	511	4,326

<b>Detailed History</b>			
<b>Owner 1</b> Purchased: 2024			Corporate Vehicle
Date	Mileage	Source	Comments
07/05/2024	15	Wisconsin Motor Vehicle Dept. Lake Geneva, WI	<b>Odometer reading reported</b> - Titled or registered as corporate vehicle
07/17/2024		Wisconsin Motor Vehicle Dept. Lake Geneva, WI Title #24199N20010	<b>Title issued or updated</b> - Registration issued or renewed - First owner reported - Vehicle color noted as Silver
07/27/2024	511	Gul Luxury Mesa, AZ 480-810-6791	<b>Vehicle offered for sale</b>

gulluxury.com/

08/13/2024	Arizona Motor Vehicle Dept. Mesa, AZ Title #A016991463	<b>Title issued or updated</b> -Dealer took title of this vehicle while it was in inventory
09/10/2024	Florida Motor Vehicle Dept.	<b>Vehicle purchase reported</b>
12/07/2024	Damage Report	<b>Accident reported: minor damage</b> -Vehicle involved in a sideswipe collision with another motor vehicle -Damage to right front -Airbags did not deploy

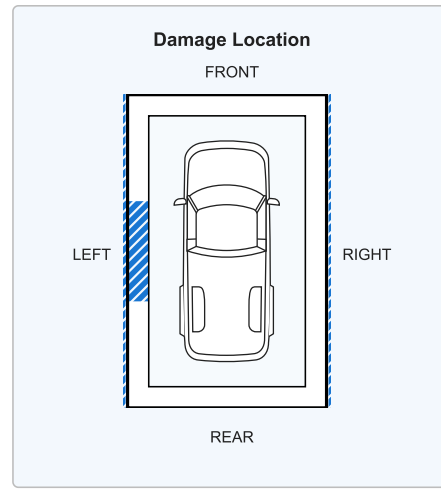


**CARFAX HAS THE MOST ACCIDENT & DAMAGE INFORMATION**

**Owner 2** Purchased: 2024 Personal Vehicle

Date	Mileage	Source	Comments
12/10/2024	4,326	Florida Motor Vehicle Dept. Odessa, FL Title #0157227473	<b>Title issued or updated</b> -Registration issued or renewed -New owner reported -Titled or registered as personal vehicle -Vehicle color noted as Blue
08/11/2025		Florida Motor Vehicle Dept. Odessa, FL Title #0157227473	<b>Registration issued or renewed</b> -Titled or registered as personal vehicle -Vehicle color noted as Blue
10/22/2025		Damage Report	<b>Accident reported with another motor vehicle</b> -Damage to left side -Functional damage reported -Airbags did not deploy

## CARFAX HAS THE MOST ACCIDENT & DAMAGE INFORMATION



06/23/2026

CARFAX Car Care

### Manufacturer Recommended Maintenance Schedules

**Did you know?** Electric car batteries are covered by the original manufacturer warranty for a minimum of 8 years or 100,000 miles. [Learn more](#)

Have Questions? Consumers, please visit our Help Center at [www.carfax.com](http://www.carfax.com). Dealers or Subscribers, please visit our Help Center at [www.carfaxonline.com](http://www.carfaxonline.com).

## Glossary

### Accident Indicator

CARFAX receives information about accidents in all 50 states, the District of Columbia and Canada.

Not every accident is reported to CARFAX. As details about the accident become available, those additional details are added to the CARFAX Vehicle History Report. CARFAX recommends that you have this vehicle inspected by a qualified mechanic.

- According to the National Safety Council, Injury Facts, 2021 edition, 5% of the 276 million registered vehicles in the U.S. were involved in an accident in 2019. Over 77% of these were considered minor or moderate.
- This CARFAX Vehicle History Report is based only on information supplied to CARFAX and available as of 6/23/26 at 7:24:25 PM (CDT). Other information about this vehicle, including problems, may not have been reported to CARFAX. Use this report as one important tool, along with a vehicle inspection and test drive, to make a better decision about your next used car.

### Damage Severity

Damage events result in one of the following severity levels:

- Minor: Generally, minor damage is cosmetic (including dents or scratches), may only require reconditioning, and typically does not compromise a vehicle's operation and/or safety.
- Moderate: Moderate damage may affect multiple components of the vehicle and may impair the vehicle's operation and/or safety.
- Severe: Severe damage usually affects multiple components of the vehicle and is likely to compromise the vehicle's operation and/or safety.

CARFAX recommends getting a pre-purchase inspection at a certified collision repair facility.

### First Owner

When the first owner(s) obtains a title from a Department of Motor Vehicles as proof of ownership.

### New Owner Reported

When a vehicle is sold to a new owner, the Title must be transferred to the new owner(s) at a Department of Motor Vehicles.

### Ownership History

CARFAX defines an owner as an individual or business that possesses and uses a vehicle. Not all title transactions represent changes in ownership. To provide estimated number of owners, CARFAX proprietary technology analyzes all the events in a vehicle history. Estimated ownership is available for vehicles manufactured after 1991 and titled solely in the US including Puerto Rico. Dealers sometimes opt to take ownership of a vehicle and are required to in the following states: Maine, Massachusetts, New Jersey, Ohio, Oklahoma, Pennsylvania and South Dakota. Please consider this as you review a vehicle's estimated ownership history.

### Title Issued

A state issues a title to provide a vehicle owner with proof of ownership. Each title has a unique number. Each title or registration record on a CARFAX report does not necessarily indicate a change in ownership. In Canada, a registration and bill of sale are used as proof of ownership.

Follow Us:  [facebook.com/CARFAX](https://facebook.com/CARFAX)  [@CARFAXinc](https://twitter.com/CARFAXinc)  [About CARFAX](#)

CARFAX DEPENDS ON ITS SOURCES FOR THE ACCURACY AND RELIABILITY OF ITS INFORMATION. THEREFORE, NO RESPONSIBILITY IS ASSUMED BY CARFAX OR ITS AGENTS FOR ERRORS OR OMISSIONS IN THIS REPORT. CARFAX FURTHER EXPRESSLY DISCLAIMS ALL WARRANTIES, EXPRESS OR IMPLIED, INCLUDING ANY IMPLIED WARRANTIES OF MERCHANTABILITY OR FITNESS FOR A PARTICULAR PURPOSE.

© 2026 CARFAX, Inc., part of S&P Global. All rights reserved.  
6/23/26 7:24:25 PM (CDT)

I have reviewed and received a copy of the CARFAX Vehicle History Report for this 2024 TESLA CYBERTRUCK vehicle (VIN: 7G2CEHEE1RA018954), which is based on information supplied to CARFAX and available as of 6/23/26 at 8:24 PM (EDT).

---

Customer Signature

Date

---

Dealer Signature

Date